

**Island mounted
Flatline 90 cm
Mineral Black**



EAN 5414425195480

Energy label

▪ Energy Efficiency class (EEIhood)	A+
▪ Annual Energy Consumption (kWh/year) (AEChood)	30,9
▪ Fluid Dynamic Efficiency class (FDEhood)	A
▪ Lighting Efficiency class (LEhood)	A
▪ Grease Filtering Efficiency class (GFEhood)	F

Functions & features

▪ Motor	Integrated
▪ Sound absorber	Integrated
▪ Recirculation	Optional
▪ InTouch function	Optional
▪ Auto stop	▪
▪ Delayed switch off (minutes)	10
▪ Grease filter	7400020
▪ Number of grease filters	1
▪ Grease filter cleaning indication	▪
▪ Recirculation filter cleaning indication	▪
▪ Control method	Push buttons
▪ Number of speeds	3 + power
▪ Automatic Power revert (minutes)	6

Dimensions

▪ Product dimensions exhaust (WxDxHmin-Hmax) (mm)	900 x 600 x 563 - 730
▪ Product dimensions recirculation (WxDxHmin-Hmax) (mm)	900 x 600 x 679 - 860
▪ Max height optional chimney [a] exhaust (mm)	1040
▪ Max height optional chimney [b] exhaust (mm)	1350
▪ Max height optional chimney [b] recirculation (mm)	1480
▪ Advised mounting height induction hobs (Hmin-Hmax) (mm)	650 - 850
▪ Advised mounting height gas hobs (Hmin-Hmax) (mm)	650 - 850
▪ Advised mounting height ceramic hobs (Hmin-Hmax) (mm)	600 - 850
▪ Diameter outlet (mm)	150
▪ Position exhaust	Top

Lighting

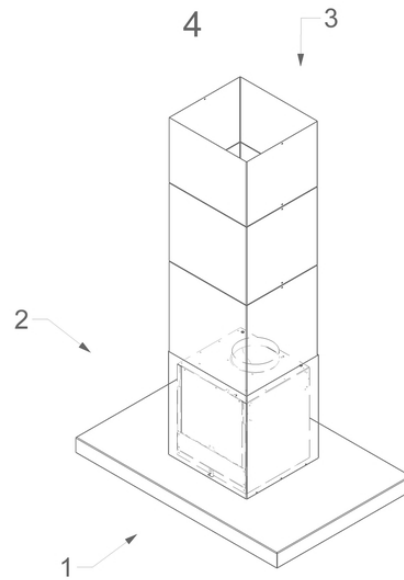
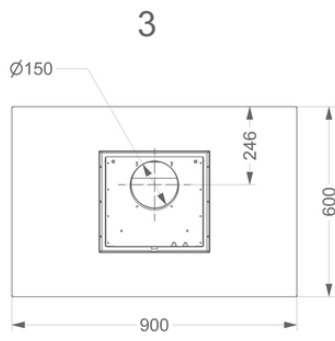
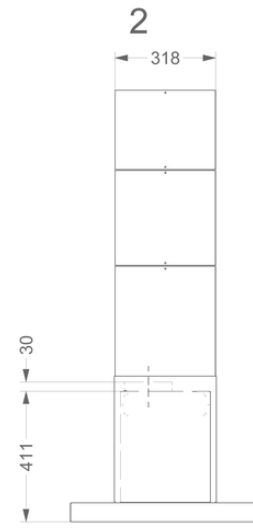
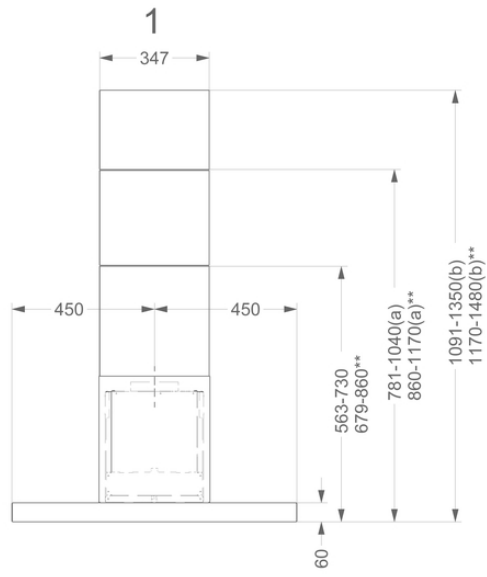
▪ Functional lighting type	LED
▪ Functional light dimmable	▪
▪ Soft-ON/OFF	▪
▪ Number of functional lights	4
▪ Total energy consumption functional light (W)	8
▪ Color functional light (K)	2700

Airflow and noise level

▪ Free airflow (m ³ /h)	815
▪ Airflow (m ³ /h) measured according to EN 61591	
▪ Sound regulation according to EN 60704-2-13	
▪ Airflow duct out speed 1 (m ³ /h) / Max pressure duct out speed 1 (Pa)	277 / 66
▪ Airflow duct out speed 2 (m ³ /h) / Max pressure duct out speed 2 (Pa)	467 / 237
▪ Airflow duct out speed 3 (m ³ /h) / Max pressure duct out speed 3 (Pa)	620 / 382
▪ Airflow duct out max powerspeed (m ³ /h) (Qboost) / Max pressure duct out max powerspeed (Pa)	707 / 382
▪ Sound pressure duct out speed 1 (dB(A)) / Sound power duct out speed 1 (dB(A))	24 / 35
▪ Sound pressure duct out speed 2 (dB(A)) / Sound power duct out speed 2 (dB(A))	34 / 46
▪ Sound pressure duct out speed 3 (dB(A)) / Sound power duct out speed 3 (dB(A))	41 / 53
▪ Sound pressure duct out at max powerspeed (dB(A)) / Sound power duct out at max powerspeed (dB(A)) (LWAboost)	44 / 56

Technical specifications

▪ Maximum power (W)	118
▪ Voltage appliance (V)	230
▪ Frequency (Hz)	50
▪ Power consumption in stand-by-mode (Ps) (W)	0.25
▪ Net weight (kg)	37,5
▪ Length power supply cable (m)	1,3



Installation accessories

Back panel & chimney extensions

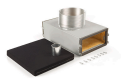
- 7642120 Chimney extension option A Mineral black
- 7642130 Chimney extension option B Mineral black

Additional accessories

- 840029 Remote control

Accessories

Recirculation kit



7640400

Recirculation set Novy Flatline island

Control kit



990030

Control kit for external lighting or valve

